

# JMY504A User's Manual

---

(Revision 3.42)

**Jinmuyu Electronics Co. LTD**

**2011/6/28**



Please read this manual carefully before using. If any problem, please mail to: [Jinmuyu@vip.sina.com](mailto:Jinmuyu@vip.sina.com)



# Contents

1	Product introduction.....	3
2	Characteristics.....	3
3	Physical parameter and pin outs.....	4
3.1	Photo.....	4
3.2	Dimension.....	4
3.3	Pin configurations and pin outs.....	5
3.4	Antennas.....	5
3.5	Connection schematics.....	6
3.6	JMY500 testing board.....	6
3.7	Model rule.....	7
3.7.1	Model format.....	7
3.7.2	Card operating type.....	7
4	Communication Protocols.....	8
4.1	Overview.....	8
4.2	UART protocol.....	8
4.2.1	Parameters.....	8
4.2.2	Data send format.....	8
4.2.3	Data return format.....	8
4.3	IIC protocol.....	9
4.3.1	Module IIC address and multi device communications.....	9
4.3.2	IIC device operation.....	9
4.3.2.1	Clock and data transaction.....	9
4.3.2.2	Start condition.....	9
4.3.2.3	Stop condition.....	9
4.3.2.4	Acknowledge (ACK).....	10
4.3.2.5	Bus state.....	10
4.3.2.6	Device addressing.....	10
4.3.2.7	Write operation.....	10
4.3.2.8	Read operation.....	11
4.3.3	Data transaction.....	11
4.3.4	Data send format.....	11
4.3.5	Data return format.....	11
4.3.6	Description of IIC command transaction.....	12
5	Description of commands.....	13
5.1	List of commands.....	13
5.2	Explanation of commands.....	14
5.2.1	Read product information.....	14
5.2.2	Module working mode set.....	14
5.2.3	Set module idle.....	15
5.2.4	EEPROM read.....	15
5.2.5	EEPROM write.....	16
5.2.6	Set UART communication baud rate.....	16



---

5.2.7	Set IIC communication address.....	16
5.2.8	Set multi-card operation .....	17
5.2.9	Set automatic detecting card interval time .....	17
5.2.10	ISO14443A request cards .....	18
5.2.11	Mifare 1K/4K data block read.....	18
5.2.12	Mifare 1K/4K sector (4 blocks) read.....	19
5.2.13	Mifare 1K/4K multi blocks read.....	19
5.2.14	Mifare 1K/4K data block write.....	20
5.2.15	Mifare 1K/4K multi blocks write .....	20
5.2.16	Mifare 1K/4K purse block initialize.....	21
5.2.17	Mifare 1K/4K purse read.....	21
5.2.18	Mifare 1K/4K purse increment.....	22
5.2.19	Mifare 1K/4K purse decrement .....	22
5.2.20	Mifare 1K/4K purse copy .....	23
5.2.21	ISO14443A card halt .....	23
5.2.22	Download Mifare 1K/4K card key to module .....	23
5.2.23	ISO14443-4 TYPE-A card reset .....	24
5.2.24	Send APDU to ISO14443-4 card.....	24
5.2.25	Ultra Light card read .....	25
5.2.26	Ultra Light card write .....	25
5.3	About KEY Identification .....	26
5.4	About automatic detecting card.....	26
5.5	Example of commands .....	27
5.5.1	About UART communication protocol .....	27
5.5.2	UART commands sample .....	27
5.5.3	IIC commands sample .....	27
5.6	Interface program source code .....	27



# 1 Product introduction

JMY504A is RFID read/write module with an UART and IIC serial port. JMY504A has various functions and supports multi ISO/IEC standard of contactless card. The RF protocol is complex. The designer combined some frequent used command of RF card and then user could operate the cards with full function by sending simple command to the module.

The impedance between RF module and antenna was tuned by impedance analyzer. And then the module has excellent performance and stability.

The module and antenna is split design. 4 wires are linked the antenna and module. Normally the wire should be less than 200mm, or it will affect the module's performance and stability.

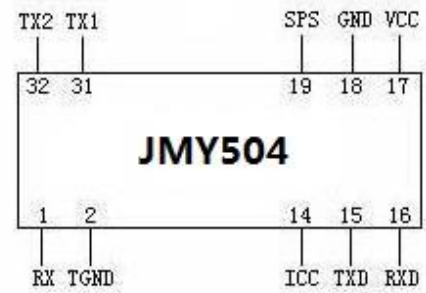
## 2 Characteristics

- PCD model: NXP MF RC522
- Working frequency: 13.56MHz
- Supported standard: ISO14443A
- Card supported: Mifare 1K/4K, FM11RF08, Ultra Light, DesFire, Mifare ProX, T=CL smart cards(ISO14443A)
- Anti collision ability: Full function anti collision; be able to process multi-cards; be able to set operate single card only
- Auto detecting card: Supported, default OFF
- EEPROM: 512 Bytes
- Power supply: DC 5V ( $\pm 0.5V$ )
- Interface: IIC & UART (selected by SPS pin, recommend to use IIC)
- Communication rate: IIC: 400Kbps  
UART: 19.2Kbps/115.2Kbps
- Max. command length: 254 Bytes
- Interface level: 3.3V (TTL level; 5V tolerance)
- Power consumption: 50mA
- Operating distance: 80mm (depending on card and antenna design)
- Dimension: 21mm \* 42mm
- Package: DIP32
- Weight: About 15g
- ISP: Supported
- Operating temperature: -25 to +85 °C
- Storage temperature: -40 to +125 °C
- RoHS: Compliant

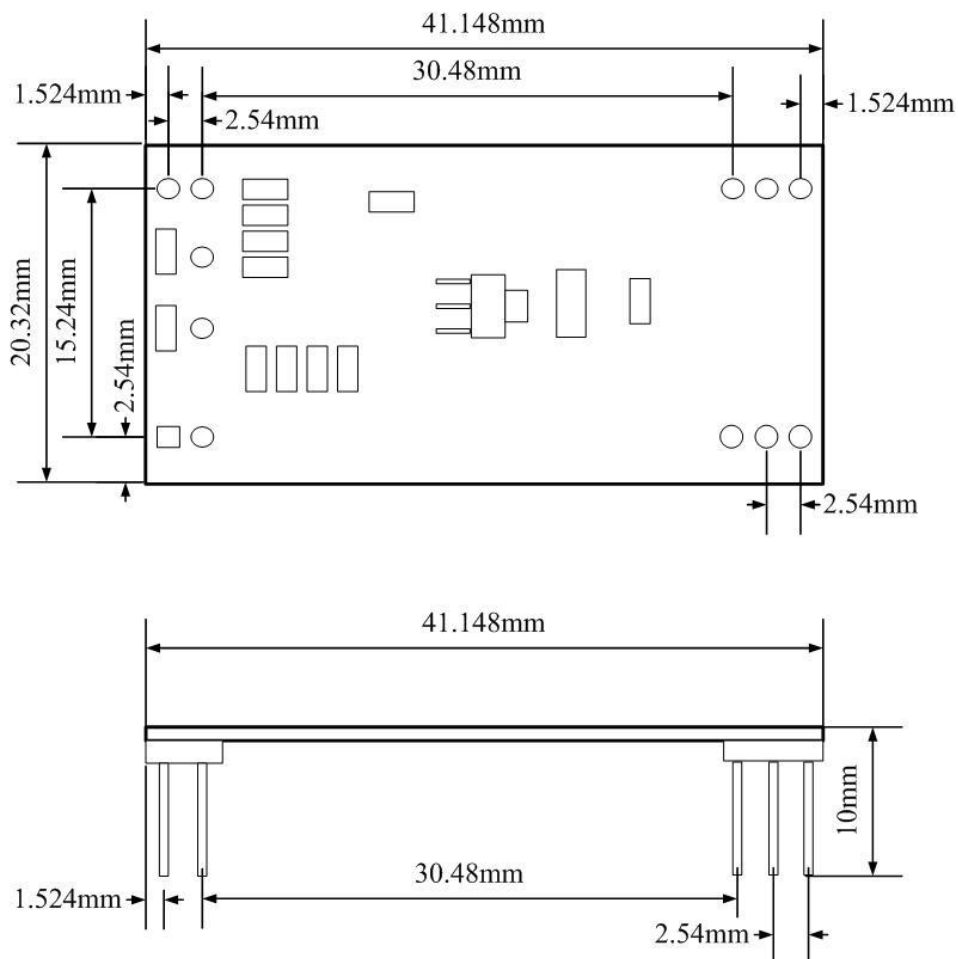


### 3 Physical parameter and pin outs

#### 3.1 Photo



#### 3.2 Dimension





### 3.3 Pin configurations and pin outs

PIN	Function	Type	Description
1	RX	RF Analog	Antenna receive
2	TGND	RF Analog	Antenna GND
13	RE	Output	RE/DE 485 directional control output
14	ICC	Output	Card in/out indication 0: card in; 1: card out
15	TXD/SDA	Input/output	UART TXD/IIC SDA
16	RXD/SCL	Input	UART RXD/IIC SCL
17	VCC	Power	VCC
18	GND	Power	GND
19	SPS	Input	Serial port selector 0: IIC 1: UART
31	TX1	RF Analog	Antenna output 1
32	TX2	RF Analog	Antenna output 2

### 3.4 Antennas

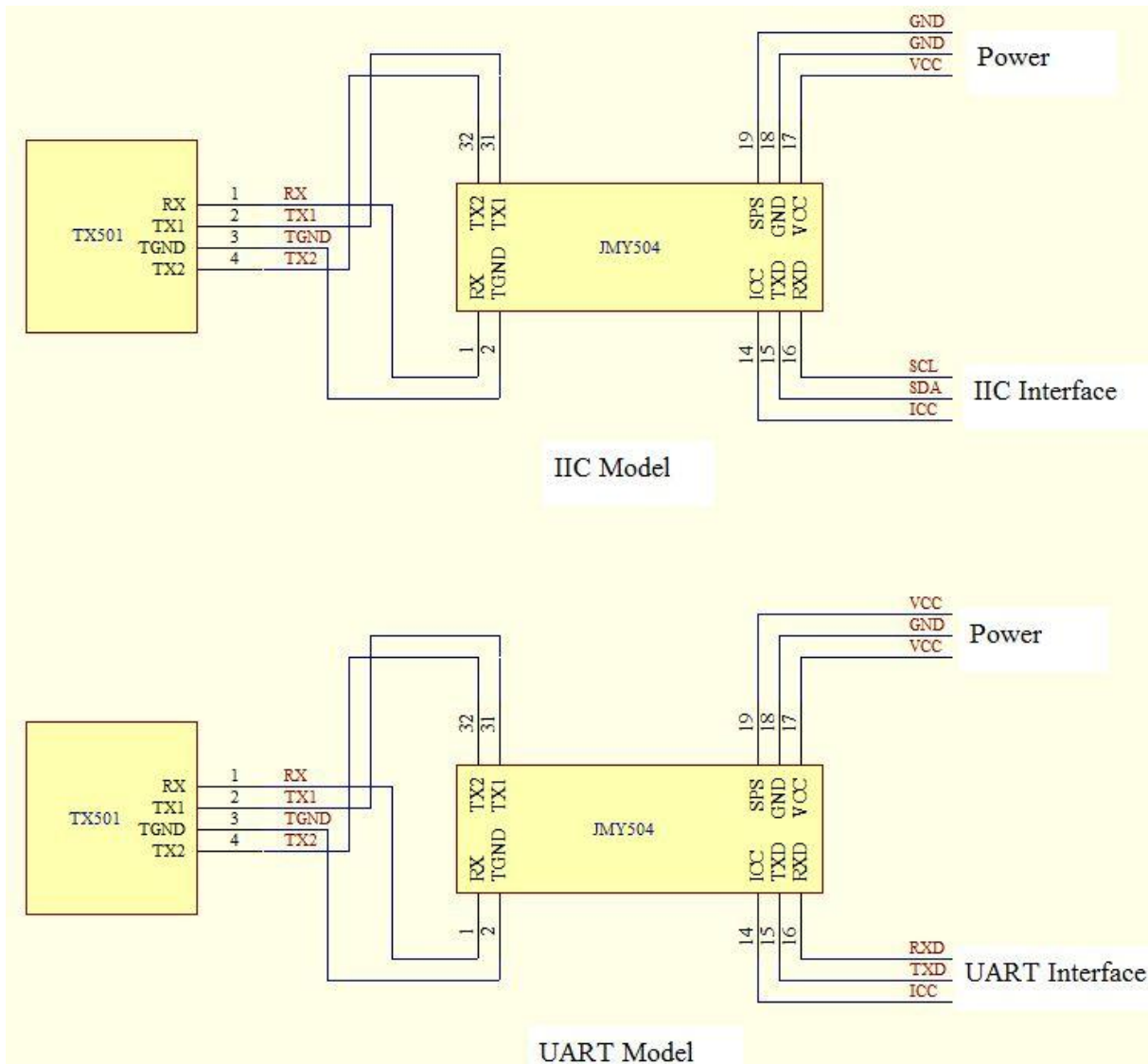
Normally, as the size of TX50x may not meet the actual demands, the antenna needs to be customized, especially in some compact systems. The following information for customization is needed: 1. Dimension of the antenna PCB; 2. the position and direction of the antenna outlet and the connector; 3. the description of the antenna periphery. Jinmuyu will design the most proper antenna according to the user's exact requirements.

We provide many models of antenna. Please visit our website to get more information. There are some recommended models in the table:

Antenna model	Size of antenna	Card operating distance
TX500-2	70mm * 70mm	80mm
TX501-2	50mm * 50mm	70mm
TX502-2	30mm * 30mm	60mm



### 3.5 Connection schematics



### 3.6 JMY500 testing board

JMY500 testing board is a tool designed for testing of JMY50x series module, it could test the module completely with several steps. JMY500 operate the module via MCS51 MCU and it could to change the communication port (IIC or UART) of module. According to our source program (include IIC and UART), user is able to finish the program of application system.

JMY500 is also communicating with PC through RS232 port. Then user programs the testing software and completes the test to the module.



## 3.7 Model rule

### 3.7.1 Model format

1	2	3
JMY	504	X

1: company code; 2: product series code; 3: card operating type

### 3.7.2 Card operating type

L: PCD is RC522, support Mifare Class

M: PCD is RC522, support Mifare Class

A: PCD is RC522, support ISO14443A and Mifare Class

C: PCD is RC523, support ISO14443A, ISO14443B and Mifare Class





## 4 Communication Protocols

### 4.1 Overview

The module has IIC and UART interfaces. We recommend using IIC interface whose communication rate is up to 400Kbps (normal rate is 100Kbps). But the baud rate of UART is 19.2Kbps and 115.2Kbps. We supply sample source code in C and ASM of MCS51 of the interface program both in IIC and UART. IIC mode is very convenient, user no need to modify the sample code except pin definition in actual using.

Whatever what type of interface user chooses. Please read this chapter before programming and refer to the sample program. There are detailed comments in the sample source code.

### 4.2 UART protocol

#### 4.2.1 Parameters

The communication protocol is byte oriented. Both sending and receiving bytes are in hexadecimal format. The communication parameters are as follows:

- Baud rate: 19200bps(default), 115200bps
- Data bits: 8 bits
- Stop bits: 1 bit
- Parity check: None
- Flow control: None

#### 4.2.2 Data send format

Header	Length	Command	Data	Checksum
--------	--------	---------	------	----------

- Header: 2 bytes, they are 0xAA 0xBB
- Length: 1 byte, number of bytes from Command length byte to the last byte of Data
- Command: 1 byte, the command of this instruction
- Data: length depends on the command type, length from 0 to 251 bytes
- Checksum: 1 byte, Exclusive OR (XOR) results from length byte to the last byte of data
- **If there is 0xAA in data package, and then MUST insert 0x00 follow to distinguish with header. But Length byte in the package does NOT increase**

#### 4.2.3 Data return format

- Success:

Header	Length	Command	Data	Checksum
--------	--------	---------	------	----------



- Failure:

Header	Length	Invert Command	Checksum
--------	--------	----------------	----------

## 4.3 IIC protocol

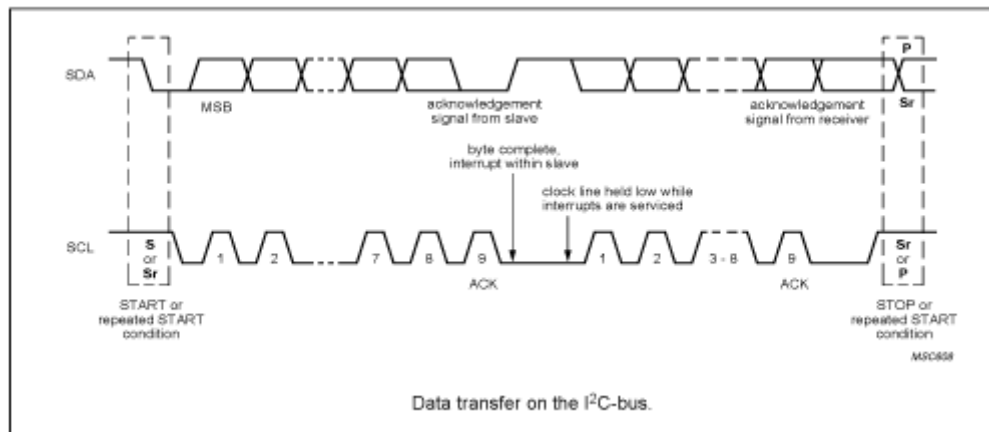
### 4.3.1 Module IIC address and multi device communications

IIC bus is able to connect with 128 devices. The IIC address of module is default 0xA0. Users change the address setting via sending the command (0x19), so that user could connect multi module on the same IIC bus.

### 4.3.2 IIC device operation

#### 4.3.2.1 Clock and data transaction

The SDA pin is normally pulled high with an external device. Data on the SDA pin may change only during SCL low time periods. Data changes during SCL high periods will indicate a start or stop condition as defined below.

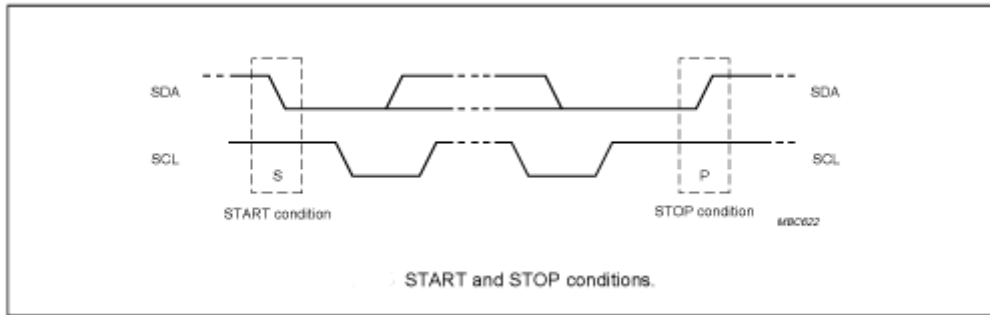


#### 4.3.2.2 Start condition

A high-to-low transition of SDA with SCL high is a start condition, which must precede any other command.

#### 4.3.2.3 Stop condition

A low-to-high transition of SDA with SCL high is a stop condition.

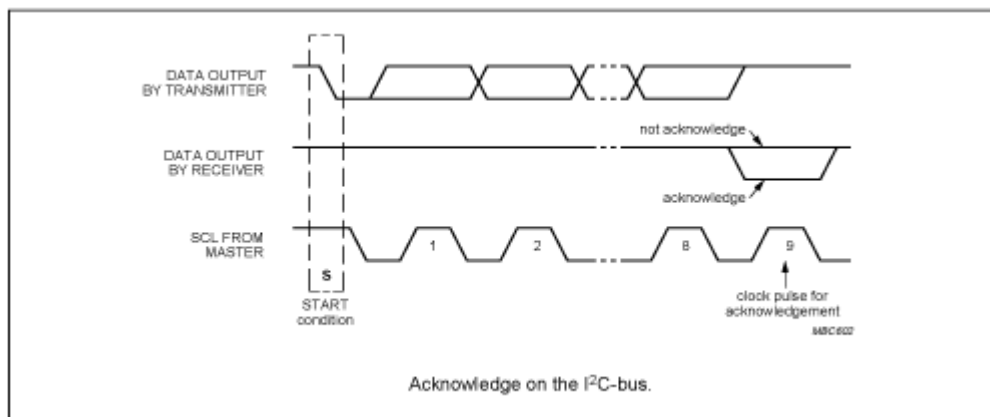


#### 4.3.2.4 Acknowledge (ACK)

All addresses and data words are serially transmitted to and from the module in 8-bit words. The module sends a zero to acknowledge that it is not busy and has received each word. This happens during the ninth clock cycle.

#### 4.3.2.5 Bus state

When the module has received command, and then doesn't acknowledge IIC bus until ends with the card communication.



#### 4.3.2.6 Device addressing

The module requires a 7-bit device address following a start condition to enable the chip for a read or write operation.

The device address word consists of 7 addressing bits and 1 operation select bit.

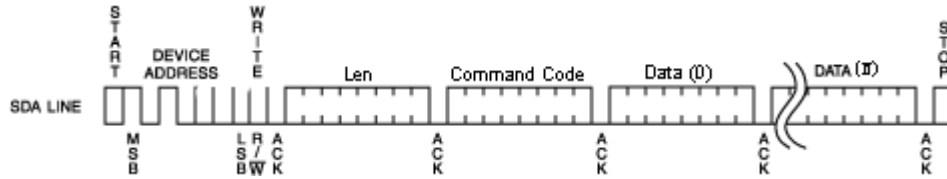
The first 7 bits of the module address are 1010000 (0xA0 in hex)

The eighth bit of the device address is the read/write operation select bit. A read operation is initiated if this bit is high and a write operation is initiated if this bit is low.



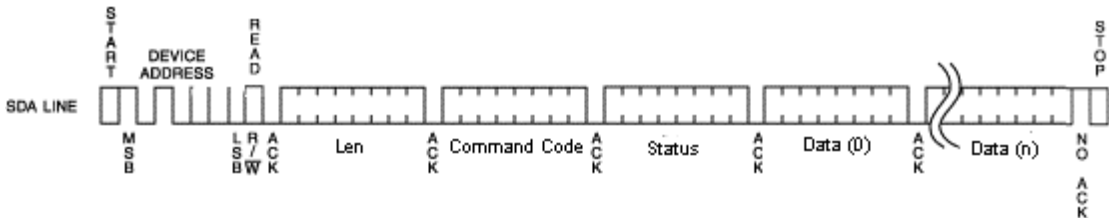
#### 4.3.2.7 Write operation

The host device sends a command to module via write operation.



### 4.3.2.8 Read operation

The host device gets result via read operation.



### 4.3.3 Data transaction

The module is a slave device of the IIC bus, then the host need to write the command package to module. The module will execute the command. Then the host needs to poll the status of the module while it is working by sending out the command of “read” continuously. If the module answered to a read operation, then the last command execution were finished. At this time the host could read the result and/or data from the module. The read and write operation see chapter 4.3.2.7 and 4.3.2.8.

### 4.3.4 Data send format

Length	Command	Data	Checksum
--------	---------	------	----------

- Length: 1 byte, number of bytes from length to the last byte of Data
- Command: 1 byte, the command of this instruction
- Data: Data length depending on the command type, length from 0 to 251 bytes
- Checksum: 1 byte, Exclusive OR (XOR) results from length byte to the last byte of data

### 4.3.5 Data return format

- Success:

Length	Command	Data	Checksum
--------	---------	------	----------

- Failure:

Length	Invert Command	Checksum
--------	----------------	----------



### 4.3.6 Description of IIC command transaction

E.g.: to read the block 1 of Mifare card, the steps:

Send command: 0A210001FFFFFFFFFFFF2A

There are steps here:

- A. Write command to module
  1. Start condition
  2. Send control byte, it is 0xA0, the meaning is: address 0xA0 + write control 0x00
  3. Send module command: 0x0A210001FFFFFFFFFFFF
  4. Send command checksum: 0x2A
  5. Stop condition
- B. Send IIC read command. If module no ACK, then the module is working. Repeat this step.
  1. Start condition
  2. Send control byte 0xA1, it is IIC slave address 0xA0 + read control 0x01
  3. If module is no ACK, go to step B. if yes, go to step C
- C. Get the data bytes from module
  1. Get the first byte and send ACK, if the data is 0x12, the meaning is there are 18 bytes useful bytes in this package.
  2. Get the else 17 bytes data and send ACK after every byte
  3. Get the checksum and send NACK
  4. Stop condition
- D. Verify the checksum. if ok then the communication is ok
- E. Verify the received data from second byte; this byte is the status of the command just executed. If equal to the command (0x21) then the command execute successful. Then the 16 bytes data started from third byte are correct.



## 5 Description of commands

### 5.1 List of commands

<b>Command code</b>	<b>Command function</b>
0x10	Read product information
0x11	Module working mode set
0x12	Sets module idle
0x15	EEPROM read
0x16	EEPROM write
0x17	Set UART communication baud rate
0x19	Set IIC address
0x1A	Set multi-card operation
0x1C	Set automatic detecting card interval time
0x20	ISO14443A Request cards
0x21	Mifare 1K/4K data block read
0x29	Mifare 1K/4K sector (4 blocks) read
0x2A	Mifare 1K/4K multi blocks read
0x22	Mifare 1K/4K data block write
0x2B	Mifare 1K/4K multi blocks write
0x23	Mifare 1K/4K purse block initialize
0x24	Mifare 1K/4K purse read
0x25	Mifare 1K/4K purse increment
0x26	Mifare 1K/4K purse decrement
0x27	Mifare 1K/4K purse copy
0x28	ISO14443A card halt
0x2D	Download Mifare 1K/4K card key to module
0x30	ISO14443-4 TYPE-A card reset
0x31	Send APDU to ISO14443-4 card
0x41	Ultra Light card read
0x42	Ultra Light card write



## 5.2 Explanation of commands

### 5.2.1 Read product information

**Function:** read the product information of CURRENT PRODUCT, includes product name, firmware version, firmware date and configuration information.

**Host sends:**

0x02	0x10	Checksum
------	------	----------

**Module returns success:**

0x1D	0x10	Information	Checksum
------	------	-------------	----------

Information: 27 bytes, 8 bytes product name, 4 bytes firmware version, 8 bytes firmware date, 1 byte UART baud rate code, 1 byte RFU, 1 byte IIC address, 1 byte multi-card operation enable state, 2 bytes RFU, 1 byte automatic detecting card interval (multiple of 10ms).

**Module returns failure:**

0x02	0xEF	Checksum
------	------	----------

### 5.2.2 Module working mode set

**Function:** set the antenna RF output ON/OFF; set the automatic detecting card ON/OFF. Antenna RF output is default ON, and automatic detecting card is OFF. The module will NOT SAVE the setting, and all settings will LOSE on next power up. The multi-card operation will be prohibited while users turn ON the automatic detecting card. If there is more than one card in the RF electric field then the operation will fail.

**Host sends:**

0x03	0x11	Mode	Checksum
------	------	------	----------

Mode: 1 byte

Antenna status: BIT0 = 0: OFF; BIT0 = 1: ON

Auto request: BIT1 = 0: OFF; BIT1 = 1: ON

**Module returns success:**

0x02	0x11	Checksum
------	------	----------

**Module returns failure:**

0x02	0xEE	Checksum
------	------	----------



### 5.2.3 Set module idle

**Function:** set the module idle. In idle mode, the module of RF output turn to OFF, PCD power down, and CPU in idle mode, so the power consumption reduces to about 100uA. Sending the next command to module will wake up the module, and then the RF output ON and automatic detecting card restore default settings. The module will enter into idle mode after the answer procedure is finished. In IIC mode, host need to read the answer and then the module will goes into idle mode.

**Host sends:**

0x03	0x12	Random data	Checksum
------	------	-------------	----------

Random data: 1 byte random data, for example: 0x55

**Module returns success:**

0x02	0x12	Checksum
------	------	----------

**Module returns failure:**

0x02	0xED	Checksum
------	------	----------

### 5.2.4 EEPROM read

**Function:** read data in EEPROM of the module.

**Host sends:**

0x05	0x15	Address	Bytes	Checksum
------	------	---------	-------	----------

Address: 2 bytes, read start address, address from 0x0000 to 0x01FF, MSB first

Bytes: 1 byte, number of bytes to read, max. 64 bytes

**Module returns success:**

-	0x15	Data	Checksum
---	------	------	----------

Remark: the byte length is “-“, means the byte length depends on the card feedback information. (The same to below)

Data: data read

**Module returns failure:**

0x02	0xEA	Checksum
------	------	----------





## 5.2.5 EEPROM write

**Function:** write data into EEPROM of the module

**Host sends:**

-	0x16	Address	Bytes	Data	Checksum
---	------	---------	-------	------	----------

Address: 2 bytes, read start address, address from 0x0000 to 0x01FF, MSB first

Bytes: 1 byte, number of bytes to read, max. 64 bytes

Data: "Bytes" data to write

**Module returns success:**

0x02	0x16	Checksum
------	------	----------

**Module returns failure:**

0x02	0xE9	Checksum
------	------	----------

## 5.2.6 Set UART communication baud rate

**Function:** set UART communication baud rate of the module. After module receive the command, it will first save the new setting, and then send the execute result according to the host. At last it will validate the new setting. UART communication baud rate is default 19200bps. Settings will SAVE in the module; it will not be lost after power OFF.

**Host sends:**

0x03	0x17	Baud rate	Checksum
------	------	-----------	----------

Baud rate: 1 byte, baud rate code; 0: 19200bps; 1: 115200bps; other values: RFU

**Module returns success:**

0x02	0x17	Checksum
------	------	----------

**Module returns failure:**

0x02	0xE8	Checksum
------	------	----------

## 5.2.7 Set IIC communication address

**Function:** set IIC communication address of the module. After module receive the command, it will first save the new address, and then send the executed result to the host. At last it will validate the new settings. The IIC address of the module is 1 byte HEX data. Lsb is 0; the address of module must be the even number, and the invalid address will NOT be



accepted. Settings will save in the module, and it will be not lost after power OFF.

**Host sends:**

0x03	0x19	Address	Checksum
------	------	---------	----------

Address: 1 byte, Lsb is 0; address must be the even number

**Module returns success:**

0x02	0x19	Checksum
------	------	----------

**Module returns failure:**

0x02	0xE6	Checksum
------	------	----------

## 5.2.8 Set multi-card operation

**Function:** set multi-card operation. If users need select on card from multi-card, then need to use the multi-card operation. If users set the automatic detecting card, the multi-card operation will be prohibited. If there is more than one card in the RF effective field then the operation will fail. Settings will save in the module; it will be not lost after power OFF. Multi-card operation default enables.

**Host sends:**

0x03	0x1A	Multi-card enable	Checksum
------	------	-------------------	----------

Multi-card enable: 1 byte, 0: disable multi-card; 1: enable multi-card; other values: RFU

**Module returns success:**

0x02	0x1A	Checksum
------	------	----------

**Module returns failure:**

0x02	0xE5	Checksum
------	------	----------

## 5.2.9 Set automatic detecting card interval time

**Function:** set interval time between two automatic detecting card

**Host sends:**

0x03	0x1C	Interval Time	Checksum
------	------	---------------	----------

Interval Time: 1 byte, 0x00 to 0xFF, unit is 10mS, 0x01 means 10mS.

**Module returns success:**

0x02	0x1C	Checksum
------	------	----------

**Module returns failure:**



0x02	0xE3	Checksum
------	------	----------

### 5.2.10 ISO14443A request cards

**Function:** ISO14443A request cards, cards include Mifare and other ISO14443A cards. In the return results, user can ascertain the length of serial number via the return data package length, and also judge the card type by ATQA, and judge whether the card supports ISO14443-4 by SAK. If automatic detecting card function was turned on, then this command is read the result of automatic detecting card.

**Host sends:**

0x03	0x20	Mode	Checksum
------	------	------	----------

Mode: 1 byte, 0: WUPA (request all); 1: REQA (Request not halted only); other value: RFU

**Module returns success:**

-	0x20	Data	Checksum
---	------	------	----------

Data: 4, 7 or 10 bytes card serial number + 2 bytes ATQA + 1 byte SAK

**Module returns failure:**

0x02	0xDF	Checksum
------	------	----------

### 5.2.11 Mifare 1K/4K data block read

**Function:** read Mifare 1K/4K data block

**Host sends:**

0x0A	0x21	Key ID	Block	Key	Checksum
------	------	--------	-------	-----	----------

Key ID: 1 byte, Key identification

BIT0 = 0: Key A; BIT0 = 1: Key B;

BIT1 = 0: using the key in the command; BIT1 = 1: using the downloaded by command

0x2D

BIT6:BIT5:BIT4:BIT3:BIT2: if using the downloaded, then name the key number here.

**(IMPORTANT: please read Chapter 5.3 about Key identification)**

Block: 1 byte, Block number to read, 0 to 0x3F for S50; 0 to 0xFF for S70

Key: 6 bytes, the key of the card

**Module returns success:**



0x12	0x21	Data	Checksum
------	------	------	----------

Data: 16 bytes card data

**Module returns failure:**

0x02	0xDE	Checksum
------	------	----------

## 5.2.12 Mifare 1K/4K sector (4 blocks) read

**Function:** read Mifare 1K/4K sector (4 blocks). For S50 and sector number less than 32 of S70, this command is called read sector, it will read the sector trailer. For sector 32 to 39 of S70, this command is called “read 4 blocks”. Because the sectors are include 16 blocks, and then module will read 4 blocks. If you need to read the 16 blocks in these sectors, you need do this command 4 times to fill the requirements. The “Sector” in package is: read start block number shift right 2 bits.

**Host sends:**

0x0A	0x29	Key ID	Sector	Key	Checksum
------	------	--------	--------	-----	----------

Key ID: 1 byte, Key identification

Sector: 1 byte, Sector number to read, 0 to 0x0F for S50; 0 to 0x3F for S70

Key: 6 bytes, the key of the card

**Module returns success:**

0x42	0x29	Data	Checksum
------	------	------	----------

Data: 64 bytes card data

**Module returns failure:**

0x02	0xD6	Checksum
------	------	----------

## 5.2.13 Mifare 1K/4K multi blocks read

**Function:** read multi data blocks in the same sector. The function is supported only in the same sector. If cross sectors, then read will fail.

**Host sends:**

0x0A	0x2A	Key ID	Start Block	Blocks	Key	Checksum
------	------	--------	-------------	--------	-----	----------

Key ID: 1 byte, key identification

Start Block: 1 byte, start block to read



Blocks: 1 byte, number of block to read

Key: 6 bytes, the key of the card

**Module returns success:**

-	0x2A	Data	Checksum
---	------	------	----------

Data: (blocks)\*(16 bytes card data)

**Module returns failure:**

0x02	0xD5	Checksum
------	------	----------

## 5.2.14 Mifare 1K/4K data block write

**Function:** write the data to a block of Mifare 1K/4K.

**Host sends:**

0x1A	0x22	Key ID	Block	Key	Data	Checksum
------	------	--------	-------	-----	------	----------

Key ID: 1 byte, Key identification

Block: 1 byte, Block number to write, 0 to 0x3F for S50; 0 to 0xFF for S70

Key: 6 bytes, the key of the card

Data: 16 bytes data to write

**Module returns success:**

0x02	0x22	Checksum
------	------	----------

**Module returns failure:**

0x02	0xDD	Checksum
------	------	----------

## 5.2.15 Mifare 1K/4K multi blocks write

**Function:** write multi data blocks. The function is supported only in the same sector. If cross sector, it will fail while writing the first block in the next sector and then prompt the error in the returned result.

**Host sends:**

0x0A	0x2B	Key ID	Start Block	Blocks	Key	Data	Checksum
------	------	--------	-------------	--------	-----	------	----------

Key ID: 1 byte, key identification

Start Block: 1 byte, the start block to write

Blocks: 1 byte, number of block to write



Key: 6 bytes, the key of the card

Data: (blocks)\*(16 bytes data to write)

**Module returns success:**

0x42	0x2B	Checksum
------	------	----------

**Module returns failure:**

0x02	0xD4	Checksum
------	------	----------

## 5.2.16 Mifare 1K/4K purse block initialize

**Function:** initialize a block of Mifare 1K/4K to a purse. The format of purse uses Mifare 1K/4K's default. The key of the card could not use as a purse.

**Host sends:**

0x0E	0x23	Key ID	Block	Key	Value	Checksum
------	------	--------	-------	-----	-------	----------

Key ID: 1 byte, Key identification

Block: 1 byte, Block number to initialize, 0 to 0x3F for S50; 0 to 0xFF for S70

Key: 6 bytes, the key of the card

Value: 4 bytes, initialized value, LSB first

**Module returns success:**

0x02	0x23	Checksum
------	------	----------

**Module returns failure:**

0x02	0xDC	Checksum
------	------	----------

## 5.2.17 Mifare 1K/4K purse read

**Function:** read a purse of Mifare 1K/4K. The format of the purse uses Mifare 1K/4K's default. Module will read the data in the block and check if it is a purse format. If yes, return 4 bytes value data, if no, return failure.

**Host sends:**

0x0A	0x24	Key ID	Block	Key	Checksum
------	------	--------	-------	-----	----------

Key ID: 1 byte, Key identification

Block: 1 byte, block number of the value to read, 0 to 0x3F for S50; 0 to 0xFF for S70

Key: 6 bytes, the key of the card

**Module returns success:**

0x06	0x24	Data	Checksum
------	------	------	----------

Data: 4 bytes value data, LSB first

**Module returns failure:**

0x02	0xDB	Checksum
------	------	----------

## 5.2.18 Mifare 1K/4K purse increment

**Function:** purse increment of Mifare 1K/4K. The format of the purse uses Mifare1K/4K's default. Purse increment means the increment on the basis of the original number.

**Host sends:**

0x0E	0x25	Key ID	Block	Key	Value	Checksum
------	------	--------	-------	-----	-------	----------

Key ID: 1 byte, Key identification

Block: 1 byte, block number to initialize, 0 to 0x3F for S50; 0 to 0xFF for S70

Key: 6 bytes, the key of the card

Value: 4 bytes, increment value, LSB first

**Module returns success:**

0x02	0x25	Checksum
------	------	----------

**Module returns failure:**

0x02	0xDA	Checksum
------	------	----------

## 5.2.19 Mifare 1K/4K purse decrement

**Function:** purse decrement of Mifare 1K/4K. The format of the purse uses Mifare 1K/4K's default. Purse decrement means the decrement on the basis of the original number. Purse decrement only needs the read authority of the key.

**Host sends:**

0x0E	0x26	Key ID	Block	Key	Value	Checksum
------	------	--------	-------	-----	-------	----------

Key ID: 1 byte, Key identification

Block: 1 byte, Block number to initialize, 0 to 0x3F for S50; 0 to 0xFF for S70

Key: 6 bytes, the key of the card

Value: 4 bytes, increment value, LSB first

**Module returns success:**

0x02	0x26	Checksum
------	------	----------

**Module returns failure:**

0x02	0xD9	Checksum
------	------	----------

## 5.2.20 Mifare 1K/4K purse copy

**Function:** copy the Mifare 1K/4K purse to another block in the same sector. The format of the purse uses Mifare 1K/4K's default.

**Host sends:**

0x0B	0x27	Key ID	Source	Target	Key	Checksum
------	------	--------	--------	--------	-----	----------

Key ID: 1 byte, Key identification

Source: 1 byte, block number to copy, 0 to 0x3F for S50; 0 to 0xFF for S70

Target: 1 byte, copy the purse to this block (source and target need in same sector)

Key: 6 bytes, the key of the card

**Module returns success:**

0x02	0x27	Checksum
------	------	----------

**Module returns failure:**

0x02	0xD8	Checksum
------	------	----------

## 5.2.21 ISO14443A card halt

**Function:** set the current operating ISO14443A card in halt state.

**Host sends:**

0x02	0x28	Checksum
------	------	----------

**Module returns success:**

0x02	0x28	Checksum
------	------	----------

**Module returns failure:**

0x02	0xD7	Checksum
------	------	----------

## 5.2.22 Download Mifare 1K/4K card key to module

**Function:** download the Mifare 1K/4K card key to module. There are 32 key memory spaces in the module that can storage 32 different keys. When using the downloaded key on





the module, this key wouldn't appear on the pin-outs of the PCD. So it could provide more security.

**Host sends:**

0x09	0x2D	Key Index	Key	Checksum
------	------	-----------	-----	----------

Key Index: 1 byte, store the Key Index in the module

Key: 6 bytes, the key of the card to store in module

**Module returns success:**

0x02	0x2D	Checksum
------	------	----------

**Module returns failure:**

0x02	0xD2	Checksum
------	------	----------

### 5.2.23 ISO14443-4 TYPE-A card reset

**Function:** reset an ISO14443-4 TYPE-A card. Before executing this command, it needs to request card and verifies the card support ISO14443-4 in the SAK of card. If operate ISO14443-4 card, then need to turn OFF the automatic detecting card. That's because the ISO14443-4 card state will be lost in the automatic detecting card.

**Host sends:**

0x02	0x30	Checksum
------	------	----------

**Module returns success:**

-	0x30	Info	Checksum
---	------	------	----------

Info: card reset information, length depends on card

**Module returns failure:**

0x02	0xCF	Checksum
------	------	----------

### 5.2.24 Send APDU to ISO14443-4 card

**Function:** send APDU to an ISO14443-4 card. Before executing the command, it needs to reset the card. If operate ISO14443-4 card, then need to turn OFF the automatic detecting card. That's because the ISO14443-4 card's state will be lost in automatic detecting card.

**Host sends:**

-	0x31	APDU	Checksum
---	------	------	----------

APDU: APDU to send

**Module returns success:**

-	0x31	Response	Checksum
---	------	----------	----------

Response: card answers, length depends on the detailed command

**Module returns failure:**

0x02	0xCE	Checksum
------	------	----------

## 5.2.25 Ultra Light card read

**Function:** read the data from Ultra Light card. A read command will read 4 blocks data from the card. If read start block is the last block, then these 4 blocks data are the 15th, 0th, 1st and 2nd block.

**Host sends:**

0x05	0x41	Read start block	Checksum
------	------	------------------	----------

Read start block: 1 byte, start block number to read

**Module returns success:**

0x12	0x41	Data	Checksum
------	------	------	----------

Data: 16 bytes card data of 4 blocks, a read operation read 4 blocks from the start block.

**Module returns failure:**

0x02	0xBE	Checksum
------	------	----------

## 5.2.26 Ultra Light card write

**Function:** write data to Ultra Light card.

**Host sends:**

0x05	0x42	Block	Data	Checksum
------	------	-------	------	----------

Block: 1 byte, block number to write

Data: 4 bytes data to write

**Module returns success:**

0x12	0x42	Checksum
------	------	----------

**Module returns failure:**

0x02	0xBD	Checksum
------	------	----------



## 5.3 About KEY Identification

There is a byte of KEY identification in command of Mifare 1K/4K read/write. This byte will identify the way to get the card key.

Key Identification							
BIT7	BIT6	BIT5	BIT4	BIT3	BIT2	BIT1	BIT0
0							

BIT0 0: KEY A; authenticate Key A of the card.

1: KEY B; authenticate Key B of the card.

BIT1 0: Using the following Key in command.

1: Using the downloaded Key by command 0x2D.

BIT6:BIT5:BIT4:BIT3:BIT2: Index of the Key already downloaded (0 to 31).

If BIT1 is 0, then these 5 bits (BIT6 to BIT2) are unused. If BIT1 is 1, then use the already downloaded key. Users need to download key(s) by using command 0x2D first; and then the 6 bytes key in the command are left unused, but the 6-byte is necessary in the command sequence.

E.g.: key Identification is 0x30; binary system is 00000000, here:

BIT0 = 0; authenticate Key A of the card

BIT1 = 0; using the key in command

BIT6:BIT5:BIT4:BIT3:BIT2: 00000, because not use the already downloaded key, the index key is unused in this command.

E.g.: key Identification is 0x33; binary system is 00110011, here:

BIT0 = 1; authenticate Key B of the card

BIT1 = 1; using the downloaded Key in the module

BIT6:BIT5:BIT4:BIT3:BIT2:01100, then use the already downloaded key 01100, and hexadecimal is 0x0C, decimal is 12.

## 5.4 About automatic detecting card

The automatic detecting card function supports ISO14443A. It is default OFF. User could set the automatic detecting card on by send command 0x11. This setting will lose on next power up.

Automatic detecting card supports full function of Mifare 1K/4K and Ultra Light.

Automatic detecting card can find ISO14443A smart cards. If user needs to send APDU to the card, then must turn automatic detecting card OFF for correct operation.

Automatic detecting card supports only one card operation. If there is more than one card in the RF effective field then the operation may fail. Then the multi-card operation will automatically turn OFF while the automatic detecting card function turned on.



## 5.5 Example of commands

### 5.5.1 About UART communication protocol

For example:

Read block 1: AABB 0A210001AA00BBCCDDEEFF2A

AABB: Header of UART protocol, IIC protocol no this part

0A: package length; from 0A to FF are total 0x0A bytes, the 00 in red is a protocol byte, see chapter 4.2.2

21: instruction of read

00: Authenticate KEY A, using the key in package. The key is "AABBCCDDEEFF"

01: block number to read

AABBCCDDEEFF: key of the sector of the card

00: protocol byte, used to distinguish header. See chapter 3.1.2

2A:  $0A \wedge 21 \wedge 00 \wedge 01 \wedge AA \wedge BB \wedge CC \wedge DD \wedge EE \wedge FF = 2A$ , in sample program, the function will calculate it, see chapter 4.5

### 5.5.2 UART commands sample

Read block 1	AABB 0A210001FFFFFFFFFFFFFF2A
Read block 255 (S70)	AABB 0A2100FFFFFFFFFFFFFFD4
Write block 1	AABB 1A220001FFFFFFFFFFFFFF1234567890ABCDEF1234567890ABCDEF39
Request card (WUPA)	AABB 03200023
Halt card	AABB 021210

### 5.5.3 IIC commands sample

Read block 1	0A210001FFFFFFFFFFFFFF2A
Read block 255 (S70)	0A2100FFFFFFFFFFFFFFD4
Write block 1	1A220001FFFFFFFFFFFFFF1234567890ABCDEF1234567890ABCDEF39
Request card (WUPA)	03200023
Halt card	021210

## 5.6 Interface program source code

We have interface program source code to help users. They are KELL project in C51 or ASM51 format. Please mail to [jinmuyu@vip.sina.com](mailto:jinmuyu@vip.sina.com) to obtain the program.