

MIFARE & ISO14443A & ISO14443B & ISO15693 IC CARD READ/WRITE MODULE

# JMY622 IC Card Reader Module

---

## User's Manual

(Revision 4.53)

**Jinmuyu Electronics Co. LTD**

**September 9, 2015**



Please read this manual carefully before using. If any problem, please mail to: [Jinmuyu@vip.sina.com](mailto:Jinmuyu@vip.sina.com)



# Contents

1	Product introduction .....	2
2	Key Characteristics .....	2
3	Technical parameters .....	2
4	Physical parameter and pin outs .....	3
4.1	Photo .....	3
4.2	Dimension .....	3
4.3	Pin configurations and pin outs .....	4
4.4	Connection .....	4
4.5	Antennas .....	5
4.6	Module function configuration table .....	6
5	Operate the module .....	6



# 1 Product introduction

JMY622 is a series of RFID reader module with UART and IIC communication port. JMY622 has various functions and supports multi ISO/IEC standard of contactless card. The RF protocol is complex, but the designer combined some frequent used command of RF card and then user could operate the cards with full function by sending simple command to the module.

The module and antenna is split. The impedance between RF circuit and antenna was tuned by impedance analyzer, and then the module has excellent performance and stability.

## 2 Key Characteristics

- **Module split antenna, connected by 50ohm coaxial cable, flexible antenna size and layout**
- **EMV2010 certification ability**
- **Surface mount and very small module size to fit portable devices**
- **Low power consumption, could be set RF output level**

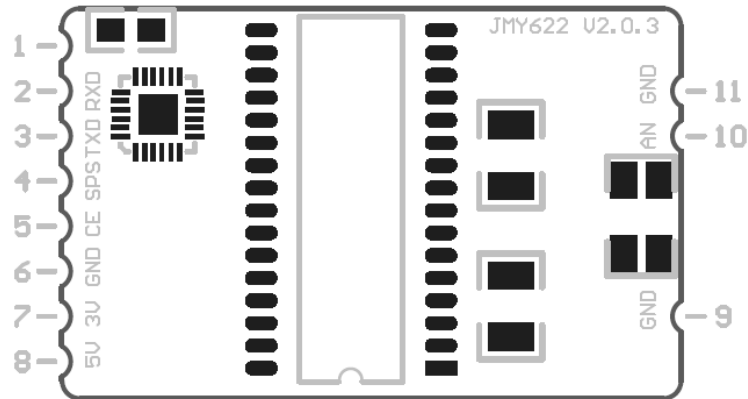
## 3 Technical parameters

- PCD type: NXP MF RC531 / CL RC400 / SL RC632
- Working frequency: 13.56MHz
- Supported standard: ISO14443A, ISO14443B, ISO15693
- Card supported: see: [module function configuration table](#)
- Anti collision ability: Full function anti collision; be able to set multi-cards or single card
- Auto detecting card: Supported, default OFF, could be set
- Data FLASH: 512 Bytes
- Power supply: DC 3.3V & 5V ( $\pm 10\%$ )
- Interface: UART and IIC
- Interface level: UART/IIC: 3.3V (TTL level; 5V tolerance)
- Communication speed: IIC Max. 200Kbps  
UART 19200bps / 9600bps / 38400bps / 57600bps / 115200bps
- Max. command length: JCP04 253 bytes  
JCP05 510 bytes
- Power consumption: Max. 150mA  
Normal model 90mA  
Idle model 100uA
- Operating distance: 100mm (M1 typical distance, depending on card quality)
- Dimension: 20mm\*35mm\*4.1mm (without Antenna)
- Weight: About 10g (without Antenna)
- ISP: Supported



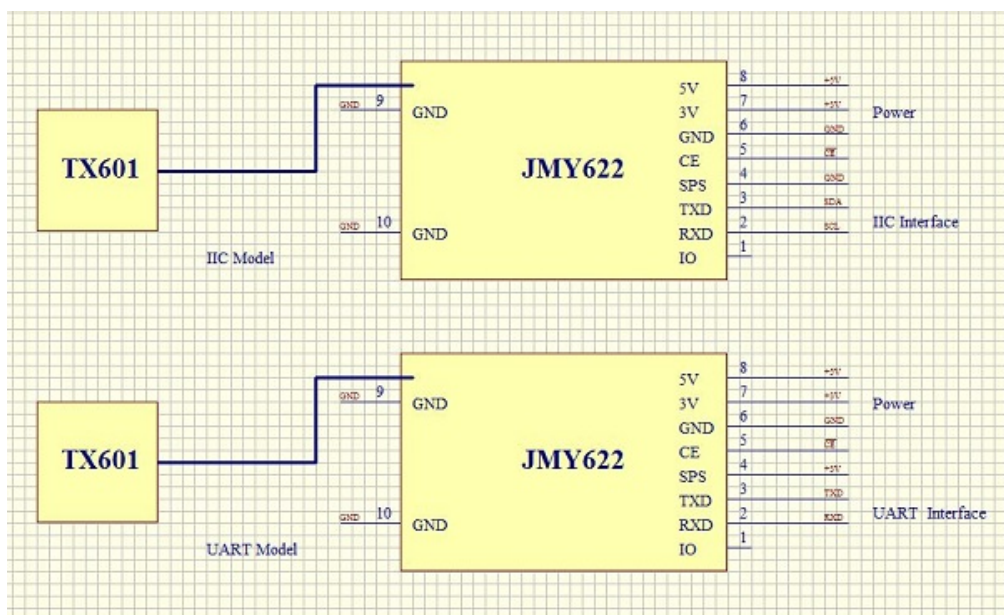


### 4.3 Pin configurations and pin outs



Pin number	Function	Type	Description
1	ICC	Output	Card in/out indicator, 0: Card IN; 1: Card OUT
2	RXD/SCL	Input	RS232C RXD / UART RXD / IIC SCL
3	TXD/SDA	Input/output	RS232C TXD / UART TXD / IIC SDA
4	SPS	Input	Serial port selector, 1: UART; 0: IIC
5	CE	Input	Module enable, 1: disable; 0: enable
6	GND	GND	GND
7	+3V	Power	CPU power supply
8	+5V	Power	RF power supply
9	GND	GND	For fixing use, connect to GND
10	GND	GND	For fixing use, connect to GND

### 4.4 Connection





## 4.5 Antennas

Normally, as the size of TX600 series antenna may not meet the actual demands, the antenna needs to be customized, especially in some compact systems. The following information for customization is needed: 1. Dimension of the antenna PCB; 2. the position and direction of the antenna outlet and the connector; 3. the description of the antenna periphery. Jinmuyu will design the most proper antenna according to the user's exact requirements.

We provide many models of antenna. Please visit our website to get more information. There are some recommended models in the table:

Antenna model	Size of antenna	Card operating distance
TX600	70mm * 70mm	100mm
TX601	50mm * 50mm	70mm
TX602	30mm * 30mm	50mm
TX604	50mm * 70mm	80mm
TX605	100mm * 150mm	100mm



## 4.6 Module function configuration table

	JMY622C	JMY622G	JMY622H
PCD	MF RC531	SL RC400	CL RC632
JCP04 protocol	●	●	●
JCP05 protocol	●	●	●
MIFARE 1K	●		●
MIFARE 4K	●		●
MIFARE Ultra Light	●		●
MIFARE Ultra Light C	●		●
MIFARE Mini	●		●
MIFARE DES fire	●		●
MIFARE Plus	●		●
T=CL TYPE A	●		●
SR176	●		●
SRI512	●		●
SRI1K	●		●
SRI2K	●		●
SRI4K	●		●
SRIX4K	●		●
T=CL TYPE B	●		●
I.CODE 1		●	●
I.CODE SLI		●	●
I.CODE SLI-S		●	●
TI Tag-it series		●	●
ST LRI series		●	●
On Chip Data Flash	512 bytes		
IIC Interface	●	●	●
UART Interface	●	●	●

## 5 Operate the module

The physical interfaces of module are various. But the data link layer protocols are in accordance with JCP04 & JCP05. Please reference “JMY600 series general communication protocol manual.pdf”. For convenience to test the module, we supply PC software: TransPort to users. We have interface program source code to help users also. They are KELL projects in C51 or ASM51 format.

Please log on to our website: <http://www.jinmuyu.com> to download or mail to [jinmuyu@vip.sina.com](mailto:jinmuyu@vip.sina.com) to obtain the resources.